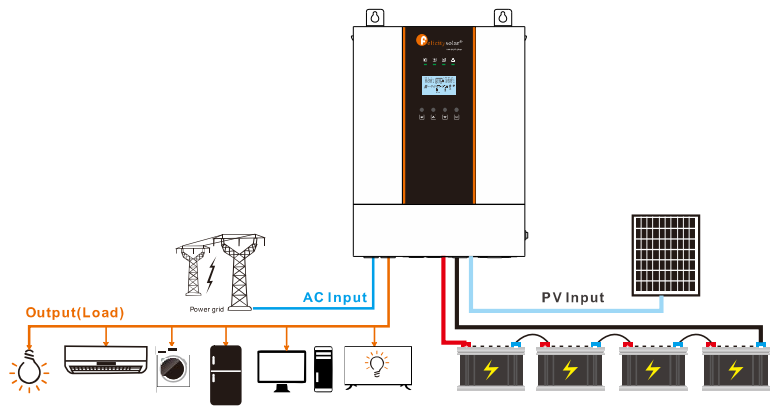


## Product Advantages

- Pure sine wave inverter.
- Built-in MPPT solar charge controller
- Configurable input voltage range for home appliances and personal computers via LCD setting
- Configurable battery charging current based on applications via LCD setting
- Configurable AC/Solar Charger priority via LCD setting
- Compatible to mains voltage or generator power
- Auto restart while AC is recovering
- Inverter running without battery
- Lithium battery activation function
- Cold start function.



## PRODUCT PARAMETERS

Model	IVEM5048
Rated Output Power(VA)	5000VA
Rated Output Power(W)	5000W
Nominal DC Input Voltage	48V
Nominal Input Voltage	230Vac
Max AC Input Voltage	280Vac
Nominal Input Frequency	50Hz / 60Hz (Auto detection)
Efficiency (Line Mode)	95% (Rated R load, battery full charged)
Pass Through Without Battery	Yes
<b>Utility Charge Mode Specifications</b>	
Input Voltage Range	90-280Vac
Over Charge Protection	Yes
<b>Solar Charging &amp; Utility Charging</b>	
Max. PV Open Circuit Voltage	500V
PV Voltage Working Range	120V – 500V
Max. Input Power	6000W
Max. Solar Charging Current	100A
Max. Charging Current(PV+Grid)	100A
Max. Input Current	20A
Min. Startup Voltage	125V
<b>Inverter Mode Specifications</b>	
Output Voltage Waveform	Pure sine wave
Nominal Output Voltage	230Vac±5%
Nominal Output Frequency (Hz)	50±0.3Hz/60Hz±0.3Hz (Adjustable)
Parallel Unit	12
Peak Efficiency	93%
Over-Load Protection (SMPS load)	5s@≥150% load; 10s@105%~150% load
Surge Rating	2* rated power for 5s
Capable of Starting Electric	Yes
Output Short Circuit Protection	Yes
<b>General Specifications</b>	
Operating Temperature	0°C ~55°C
Range Storage Temperature	-15°C ~60°C
Net Weight(KG)	11.2KG
Gross Weight(KG)	13.2KG
Product Size (D*W*H)	415x320x129mm
Package Dimension (D*W*H)	514x419x222mm